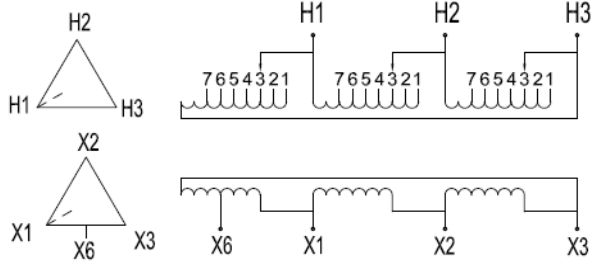


HIGH EFFICIENCY DOE 2016 COMPLIANT

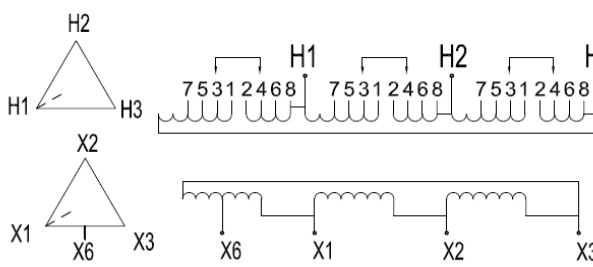
Three phase 480 Volts Delta Primary 240 Delta/120 Volts CT Secondary 60Hz. 150 °C ALUMINUM

kVA	Catalog Number	Case Style	Approx. Dimensions(Inches)			Wiring Diagram	Approx. Weight (Lbs.)
			Width	Depth	Height		
15	HE3015AC	E1	19.4	20.2	21.5	W5	270
30	HE3030AC	E2	23.9	25	28.75	W5	420
45	HE3045AC	E3	26	25	38	W5	540
75	HE3075AC	E4	32	29.5	41	W5	750
112.5	HE3112AC	E4	32	29.5	41	W5	880
150	HE3150AC	E4	32	29.5	41	W5	1180
225	HE3225AC	E5	39.5	34	51.5	W5	1600
300	HE3300AC	E6	48.5	38.4	59	W5	2150
500	HE3500AC	E7	51.5	43.4	66	W6	3500
750	HE3750AC	E8	64	51.4	75	W6	4800

(W5)WIRING DIAGRAM

SCHEMATIC	CONNECTIONS			
	% Voltage	Primary Volts	Connect lines to	Inter-connect
	105.0%	504	H1, H2, H3	1
	102.5%	492	H1, H2, H3	2
	100.0%	480	H1, H2, H3	3
	97.5%	468	H1, H2, H3	4
	95.0%	456	H1, H2, H3	5
	92.5%	444	H1, H2, H3	6
	90.0%	432	H1, H2, H3	7
	Secondary Volts		Connect lines to	
	240	X1, X2, X3		
	120	X1, X6	X3, X6	

(W6)WIRING DIAGRAM

SCHEMATIC	CONNECTIONS			
	% Voltage	Primary Volts	Connect lines to	Inter-connect
	105.0%	504	H1, H2, H3	1-2
	102.5%	492	H1, H2, H3	2-3
	100.0%	480	H1, H2, H3	3-4
	97.5%	468	H1, H2, H3	4-5
	95.0%	456	H1, H2, H3	5-6
	92.5%	444	H1, H2, H3	6-7
	90.0%	432	H1, H2, H3	7-8
	Secondary Volts		Connect lines to	
	240	X1, X2, X3		
	120	X1, X6	X3, X6	